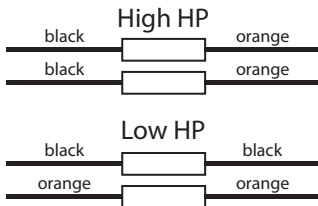
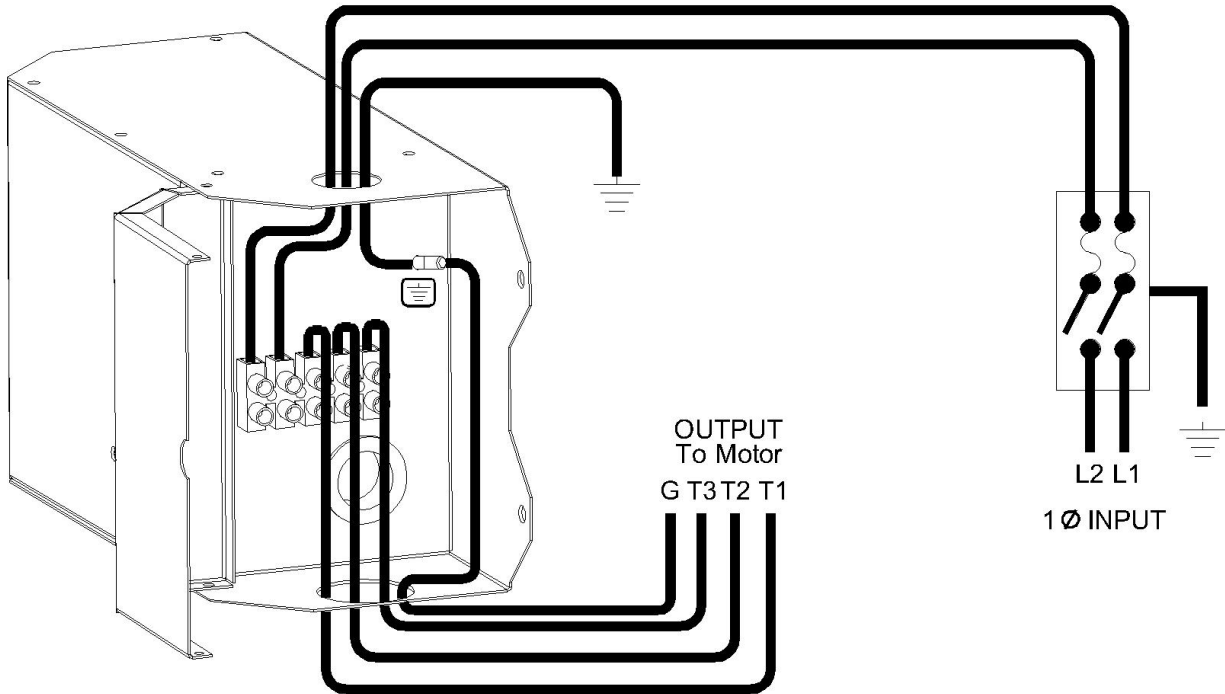


TEMCo Static Phase Converter - Wiring Diagram

Static Wave

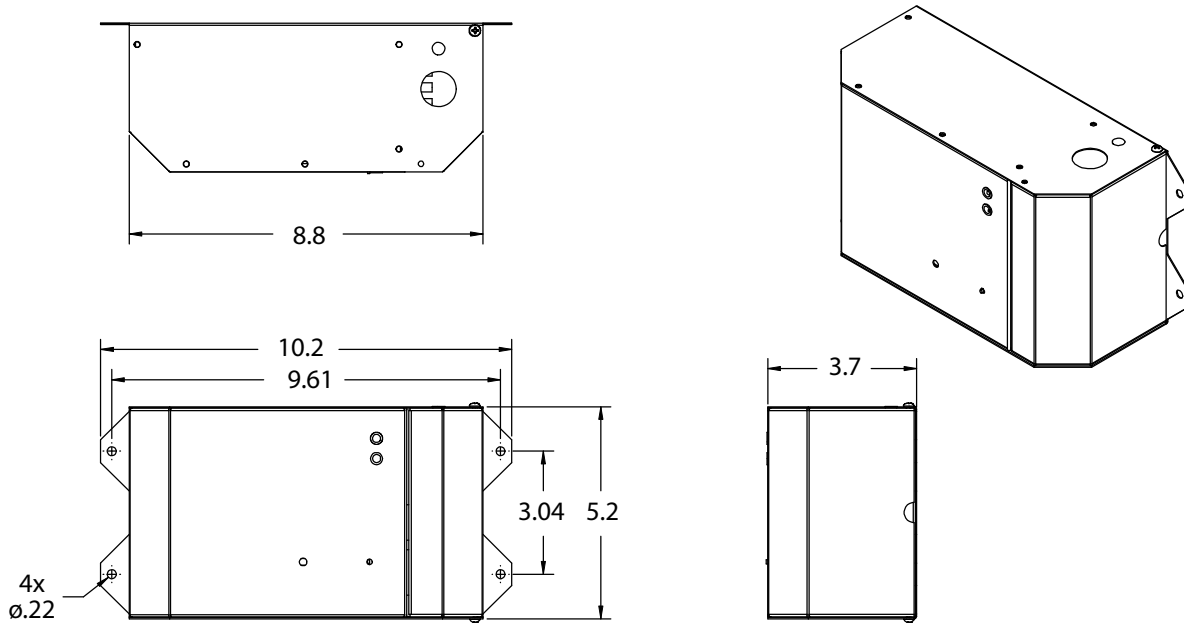


*If motor will not start on high HP configuration, reconfigure for low HP.

TEMCo Static Phase Converter - Dimensional Drawings

Static Wave

Dimensions in inches.



Knockout size (in.): 7/8 in. for 1/2 in. conduits

Model: XS0 XS1 XS3 XS5 XS8 XS12

Product Weight (lbs): 3.45 3.6 4 4 5 5.25