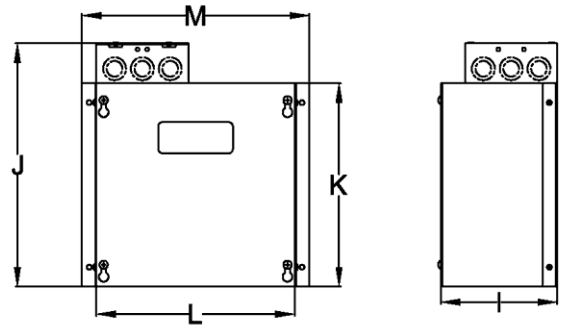
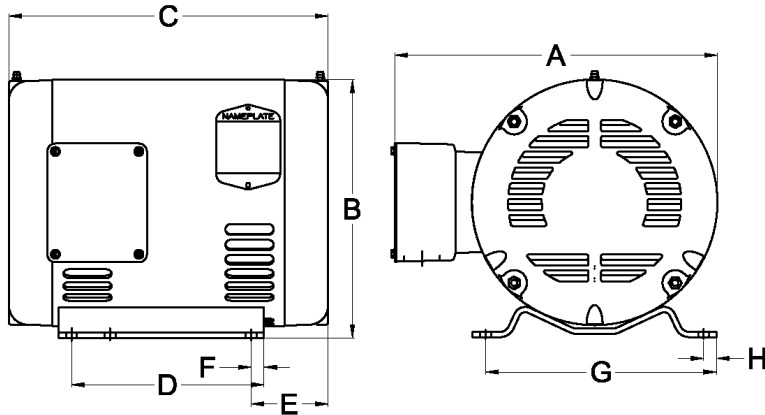


7000 Series - TEMCo Rotary Phase Converters

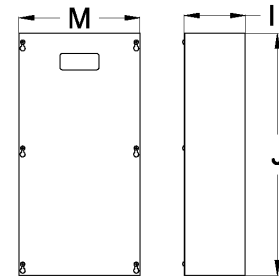
Mechanical Dimensions *MD7-3-55*

Generator unit sizes: 7000-3 to 7000-55

Control unit sizes: 7000-3 to 7000-11



Control unit sizes: 7000-15 to 7000-55



Series	Model Size	DIMENSIONS (inches)													Approximate ship weight (lbs)
		A	B	C	D	E	F	G	H	I	J	K	L	M	
7000	3	11.06	8.44	10.00	5.50	1.94	0.50	7.50	0.56	6.00	12.50	10.25	10.25	11.75	90
	5	12.71	10.03	12.77	7.50	3.00	0.50	9.00	0.50	6.00	12.50	10.25	10.25	11.75	130
	7	12.71	10.03	12.77	7.50	3.00	0.50	9.00	0.50	6.00	12.50	10.25	10.25	11.75	140
	11	12.71	10.03	12.44	7.00	3.00	0.50	8.50	0.50	6.00	12.50	10.25	10.25	11.75	150
	15	15.30	12.00	17.37	10.63	3.93	0.63	10.63	0.63	6.00	24.00	—	—	12.00	350
	21	18.86	14.63	20.62	12.87	4.94	0.88	13.38	0.88	6.00	24.00	—	—	18.00	415
	29	18.86	14.63	20.62	12.87	4.94	0.88	13.38	0.88	6.00	30.00	—	—	18.00	500
	36	18.86	14.63	20.62	12.87	4.94	0.88	13.38	0.88	6.00	30.00	—	—	18.00	630
	44	20.85	16.59	21.88	13.13	5.70	0.88	14.88	0.88	6.00	30.00	—	—	18.00	730
	55	20.85	16.59	21.88	13.13	5.70	0.88	14.88	0.88	10.00	30.00	—	—	24.00	850

Dimensions in tables are approximated and are subject to change.

Call to order

Inside USA:
(800) 613-2290

USA & International:
(510) 490-2187

Fax:
(510) 490-2187

web:
www.phaseconverter.com

e-mail:
info@phaseconverter.com