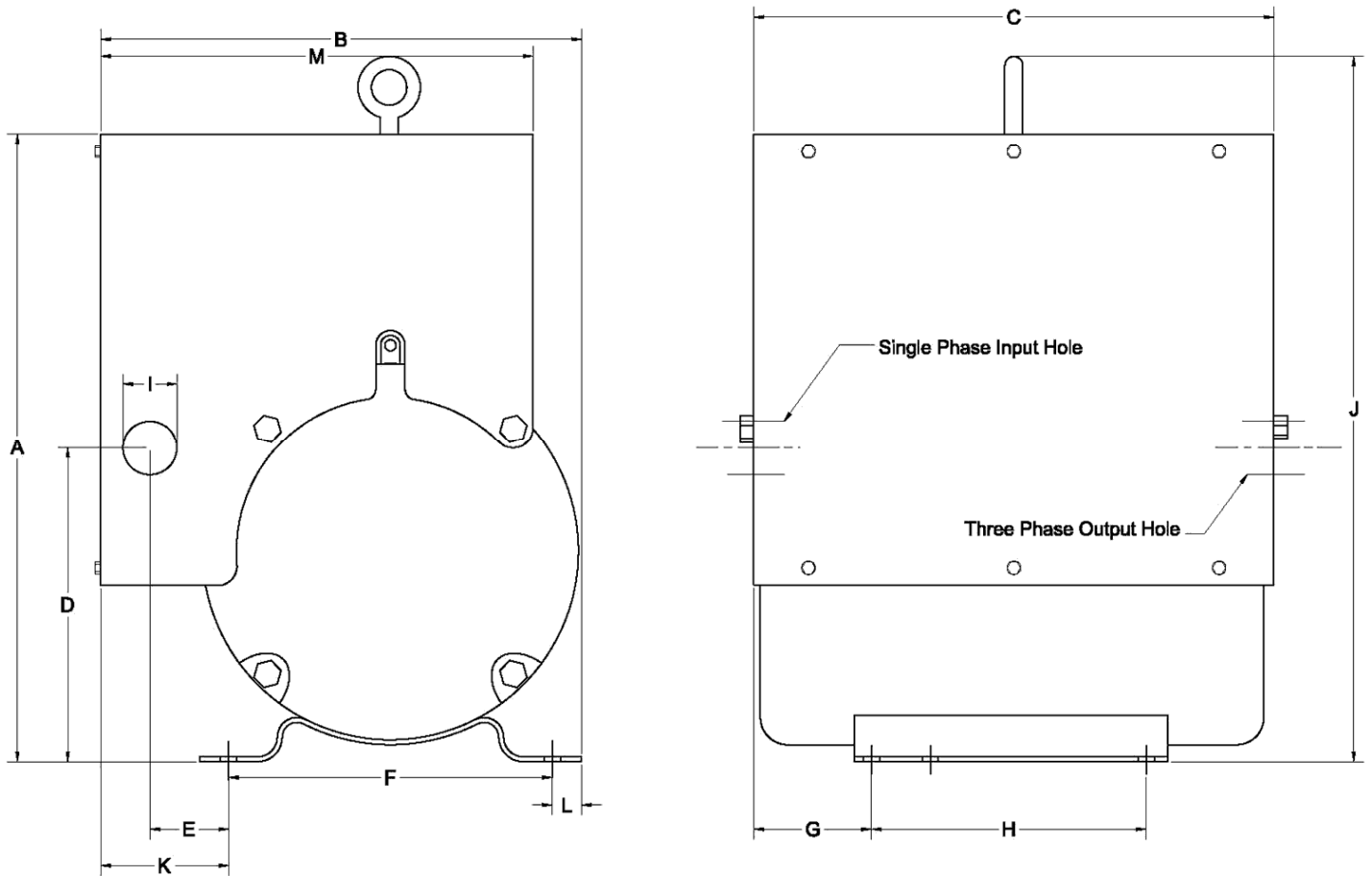


## 6500 Series - TEMCo Rotary Phase Converters Mechanical Dimensions



Series	Model kW	DIMENSIONS (inches)													Approximate ship weight (lbs)
		A	B	C	D	E	F	G	H	I	J	K	L	M	
6500	2	14.25	11.00	12.00	7.75	2.87	7.50	4.25	5.50	1	15.75	4.12	0.50	10.00	80
	5	15.75	12.25	12.62	7.75	1.87	8.50	2.50	7.00	1-3/8	17.50	3.25	0.50	11.12	120
	7.5	15.75	12.25	12.62	7.75	1.87	8.50	2.50	7.00	1-3/8	17.50	3.25	0.50	11.12	135
	11	19.75	15.00	16.15	9.25	2.87	10.00	2.75	10.00	1-3/4	21.75	3.31	0.63	13.65	205
	15	19.75	15.00	16.15	9.25	2.87	10.00	2.75	10.00	1-3/4	21.75	3.31	0.63	13.65	240

### Call to order

Inside USA:  
(800) 613-2290

USA & International:  
(510) 490-2187

Fax:  
(510) 490-1507

web:  
www.phaseconverter.com

e-mail:  
info@phaseconverter.com