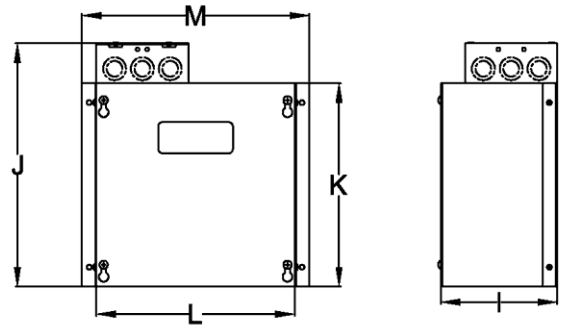
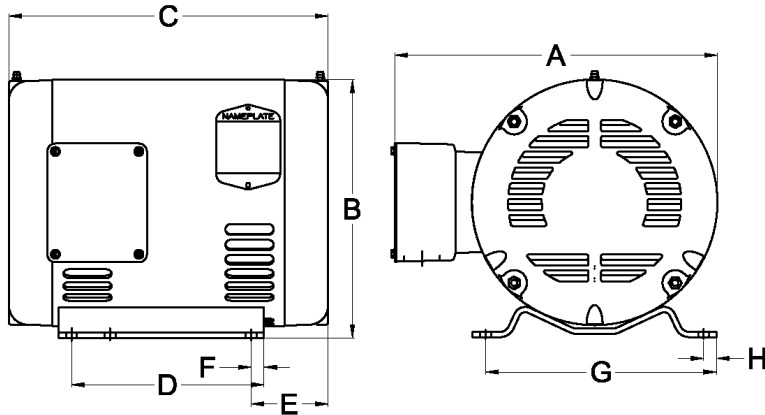


## 6000 Series - TEMCo Rotary Phase Converters

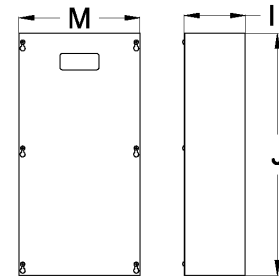
### Mechanical Dimensions *drawing no. MD6-750-55*

Generator unit sizes: .750KW-55KW

Control unit sizes: .750KW-11KW



Control unit sizes: 21KW-55KW



Series	Model kW	DIMENSIONS (inches)													Approximate ship weight (lbs)
		A	B	C	D	E	F	G	H	I	J	K	L	M	
6000	.750	8.92	6.81	8.75	5.00	2.00	0.50	5.50	0.50	4.00	10.50	8.25	8.25	9.75	60
	1.5	8.92	6.81	9.75	5.00	2.00	0.50	5.50	0.50	4.00	10.50	8.25	8.25	9.75	70
	2	9.92	7.81	11.75	5.50	2.50	0.50	7.50	0.56	4.00	10.50	8.25	8.25	9.75	75
	3	11.06	8.44	10.00	5.50	1.94	0.50	7.50	0.56	4.00	10.50	8.25	8.25	9.75	90
	11	12.71	10.03	12.44	7.00	3.00	0.50	8.50	0.50	6.00	12.50	10.25	10.25	11.75	150
	21	18.86	14.63	20.62	12.87	4.94	0.88	13.38	0.88	6.00	24.00	—	—	18.00	415
	29	18.86	14.63	20.62	12.87	4.94	0.88	13.38	0.88	6.00	30.00	—	—	18.00	500
	36	18.86	14.63	20.62	12.87	4.94	0.88	13.38	0.88	6.00	30.00	—	—	18.00	630
	44	20.85	16.59	21.88	13.13	5.70	0.88	14.88	0.88	6.00	30.00	—	—	18.00	730
	55	20.85	16.59	21.88	13.13	5.70	0.88	14.88	0.88	10.00	30.00	—	—	24.00	850

Dimensions in tables are approximated and are subject to change.

### Call to order

Inside USA:  
(800) 613-2290

USA & International:  
(510) 490-2187

Fax:  
(510) 490-2187

web:  
www.phaseconverter.com

e-mail:  
info@phaseconverter.com