

# POWER Wave™ Series

Rotary Phase Converters  
Mechanical Dimensions



**TEMCo** Heavy Duty Rotary Phase Converters provide utility quality three phase power from a single phase power supply. TEMCo's world class products are being used throughout the United States and internationally.

## Phase Converter Features:

**5yr** Full 5 Year Warranty

**HEAVY DUTY** Rugged Heavy Duty Rotary Design

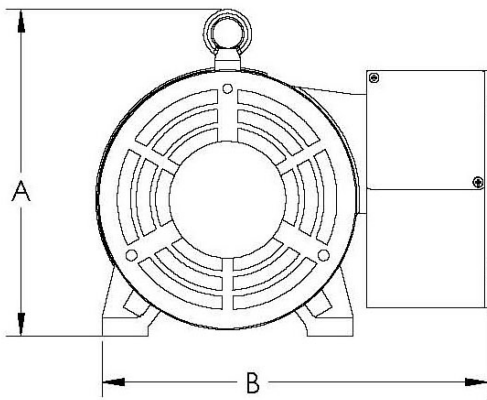
100% Copper Windings  
(Energy Efficient, Environmentally Friendly)

100% American Made

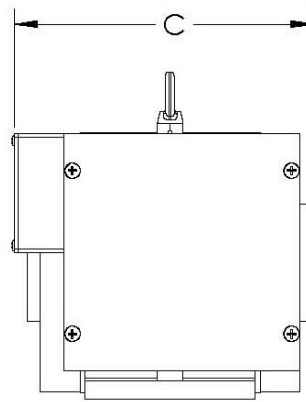
208-240v or 440-480v Operation

Quiet Operation, 63db @ 10ft  
(No Louder Than Human Conversation)

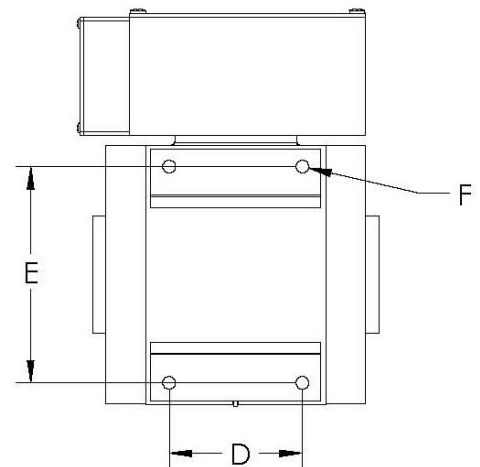
## Phase Converter Drawing:



Left Side



Front



Underside

## Dimensions (Approx, Inches):

Model	A	B	C	D	E	F	G	H	I	J	K	L	M	Approx. Weight
XR2	11	13.375	10	4.5	7.5	4.375								94
XR3	11	13.375	10.9	5.5	7.5	4.375								106
--														
--														
--														
--														