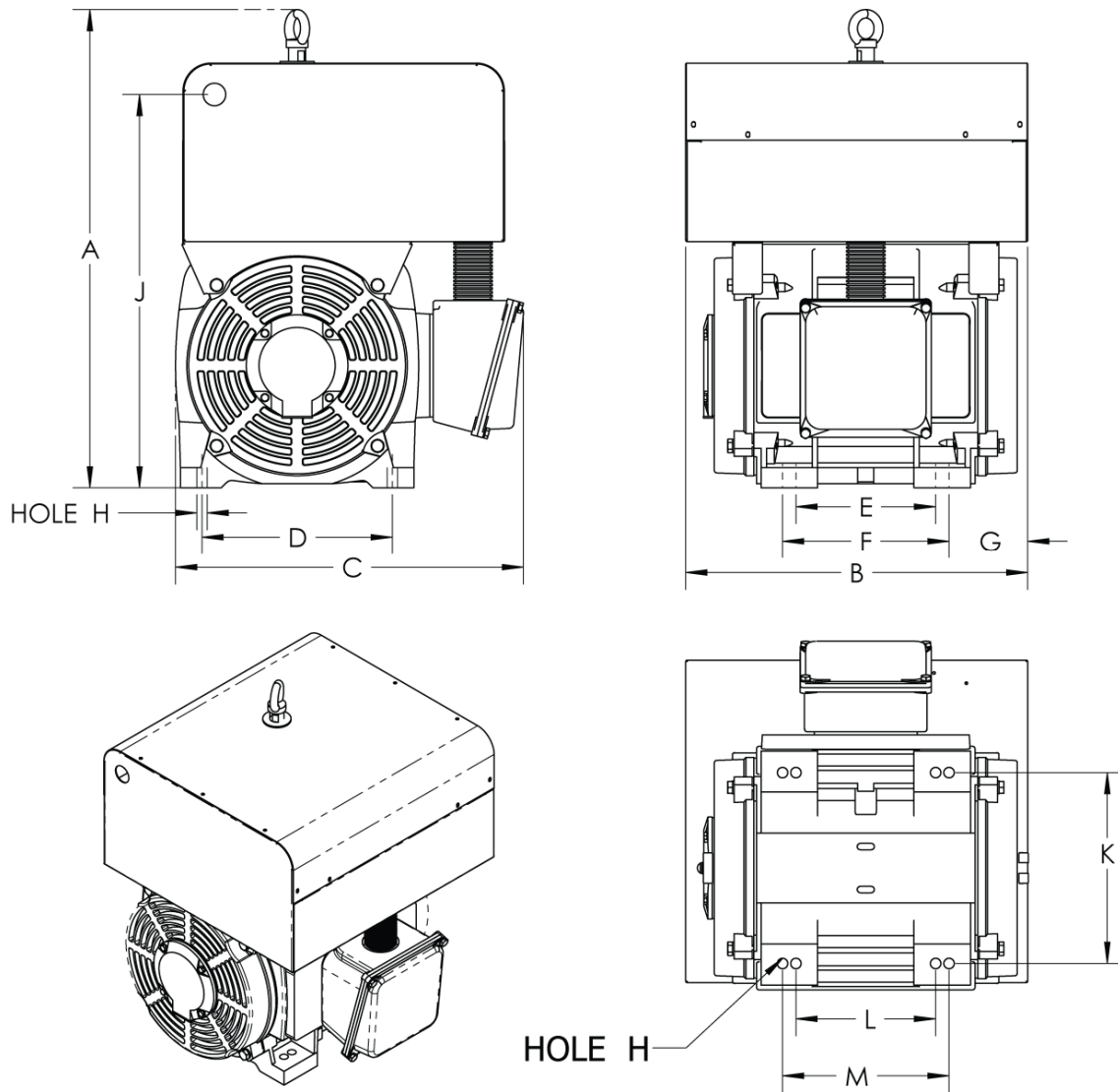


# AC SERIES

# TRU-WAVE™

## Rotary Phase Converter Dimensions

Dimensions:



All dimensions given in inches

Model	A	B	C	D	E	F	G	H	J	K	L	M	Ship Dim	Ship Wt
AC21	30.3	23.63	19.5	11		11	5.5	0.53	25.15	11		11	34Lx32Wx43T	594 lbs
AC29	32	24.75	20.38	12.5		10.5	5.69	0.66	26.65	12.5		10.5	34Lx32Wx43T	724 lbs
AC36	32	25.75	20.38	12.5		12	5.19	0.66	26.65	12.5		12	34Lx32Wx43T	754 lbs
AC44	35.25	26.5	25.63	14	10.25	12.25	5.88	0.77	29	14	10.25	12.25	34Lx32Wx43T	994 lbs
AC55	35.25	26.5	25.63	14	10.25	12.25	5.88	0.77	29	14	10.25	12.25	34Lx32Wx43T	1014 lbs

rev 1.0

Corporate Headquarters: **TEMCo** – Tower Electric Motor Company 41474 Christy St. Fremont CA 94538 USA  
 Inside USA (800) 613-2290 International (510) 490-2187 Fax (510) 490-1507 [www.temcophaseconverter.com](http://www.temcophaseconverter.com)